

Syntron® Model PFM Parts Feeder Machines

For Storage and Controlled feeding of medium-to-small parts

Accepts Bulk Parts and Feeds Gently Into System

The Syntron® Parts Feeder Machine (PFM) is a combination of a storage hopper and light capacity feeder designed to gently convey bulk parts into parts feeding equipment, usually a rotary or vibratory parts feeder.

The PFM is easily integrated into your parts handling system to assure proper bowl loading for efficient part orientation and feed rate.

Range of Hoppers

These units are available in mild or stainless steel hopper and feeder trough with hopper capacities of 1/4, 1/2, 1, 2, 3 and 5 cubic feet in either low or high frame designs.

Adjustable Feed Rate

The feed rate is easily adjusted with our Model PFM. Simply adjust the slide gate on the front of the hopper to control the depth of parts. Once proper depth is selected, simply set the control knob to obtain the optimum feed rate.

Accessory Equipment

A flow switch, standard with the 1, 2, 3 and 5 cubic foot PFMs, provides a demand signal for automatic conveying and loading. For smaller units, an optional paddle-style or inductive proximity flow switch is available.

A vibrator can be attached to the hopper for applications where bridging or clogging of parts occur.

Standard units are available for operation from 115 or 230 volt, 50 or 60 cycle, single phase, AC power supply.

Hopper can be furnished with high and/or low level photo eyes.



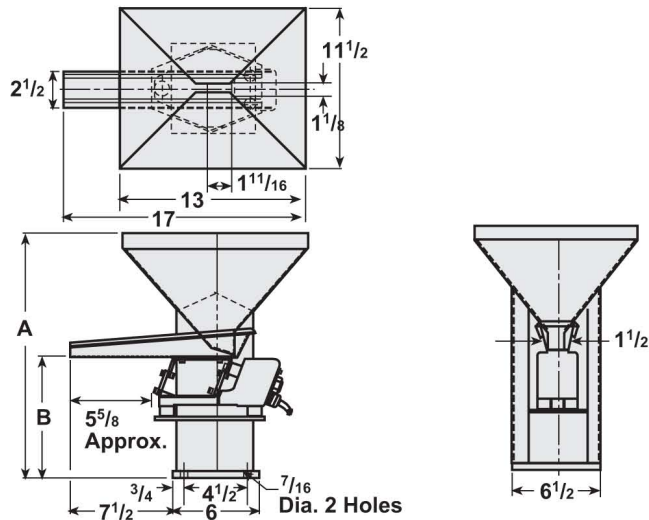
Syntron® PFM Parts Feeder Machine



Syntron® PFM Parts Feeder Machine metering metal clips into a Syntron Vibratory Bowl Feeder.

Parts Feeder Machines

1/4 & 1/2 Cubic Foot Capacity



Dimensions in inches

Design	Hopper Capacity	A	B
Low Frame	1/4 cu. ft.	17 1/2	8 1/2
	1/2 cu. ft.	20 1/2	8 1/2
High Frame	1/4 cu. ft.	23 1/2	14 1/2
	1/2 cu. ft.	26 1/2	14 1/2

Parts Feeder Machines

1, 2, 3 & 5 Cubic Foot Capacity

Dimensions in inches

Design	Hopper Capacity	A* Adjustable (Narrow or Wide)	B	C* Adjustable Narrow	C* Adjustable Wide	D	E Narrow	E Wide	F Narrow	F Wide
Low Frame	1 cu. ft.	26 to 36 1/2	27 3/8 or 30 3/8	12 1/4 to 22 3/4	12 1/4 to 22 3/4	12 1/4 or 15 1/4	12 1/2	17 3/4	14 1/8	19 3/8
	2 cu. ft.	29 to 39 1/2	27 3/8 or 30 3/8	12 1/4 to 22 3/4	12 1/4 to 22 3/4	12 1/4 or 15 1/4	12 1/2	17 3/4	14 1/8	19 3/8
	3 cu. ft.	33 to 43 1/2	27 3/8 or 30 3/8	12 1/4 to 22 3/4	12 1/4 to 22 3/4	12 1/4 or 15 1/4	12 1/2	17 3/4	14 1/8	19 3/8
	5 cu. ft.	41 to 51 1/2	27 3/8 or 30 3/8	12 1/4 to 22 3/4	12 1/4 to 22 3/4	12 1/4 or 15 1/4	12 1/2	17 3/4	14 1/8	19 3/8
High Frame	1 cu. ft.	36 to 46 1/2	27 3/8 or 30 3/8	22 1/4 to 32 3/4	22 1/4 to 32 3/4	12 1/4 or 15 1/4	12 1/2	17 3/4	14 1/8	19 3/8
	2 cu. ft.	39 to 49 1/2	27 3/8 or 30 3/8	22 1/4 to 32 3/4	22 1/4 to 32 3/4	12 1/4 or 15 1/4	12 1/2	17 3/4	14 1/8	19 3/8
	3 cu. ft.	43 to 53 1/2	27 3/8 or 30 3/8	22 1/4 to 32 3/4	22 1/4 to 32 3/4	12 1/4 or 15 1/4	12 1/2	17 3/4	14 1/8	19 3/8
	5 cu. ft.	51 to 61 1/2	27 3/8 or 30 3/8	22 1/4 to 32 3/4	22 1/4 to 32 3/4	12 1/4 or 15 1/4	12 1/2	17 3/4	14 1/8	19 3/8

*Frames adjusted in 3 inch increments

